

Instructions

Folding all the flaps before assembly makes building the papercraft easier than folding flaps as you go.

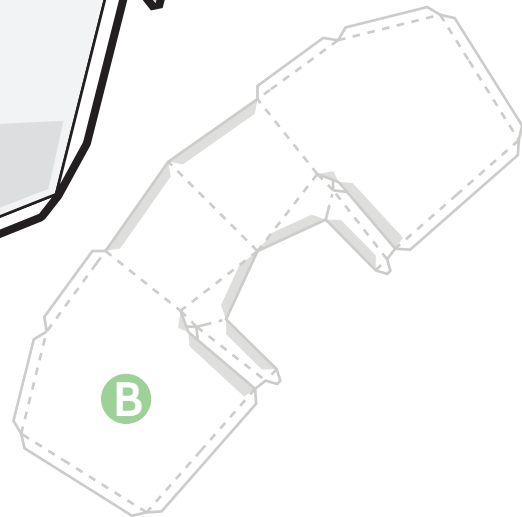
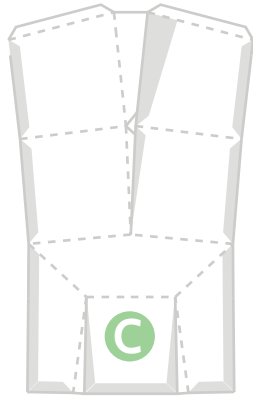
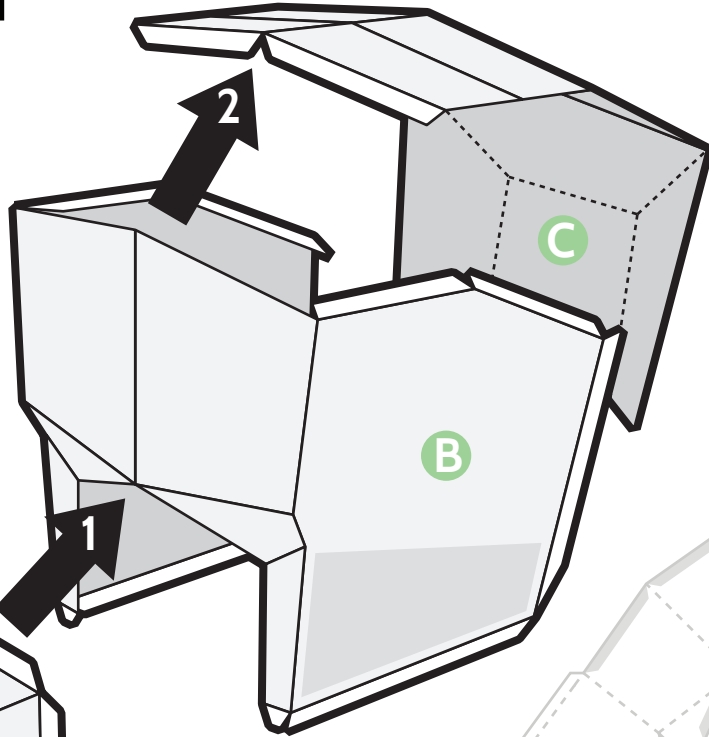
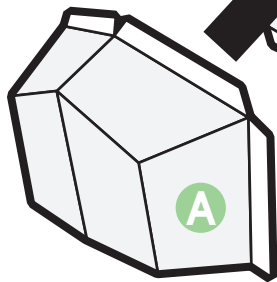
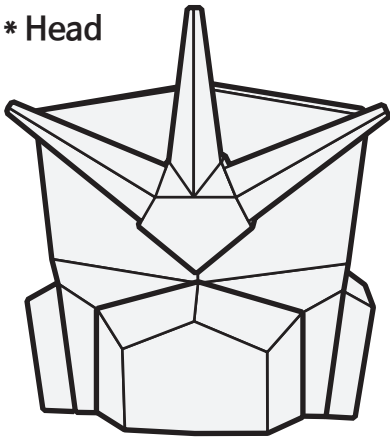
- Mountain Fold
- - - - - Valley Fold

You will need to prepare some glue to assemble the papercraft

1

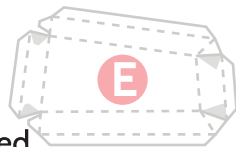
▶ Attach piece A to B, and attach piece C to B

* Head

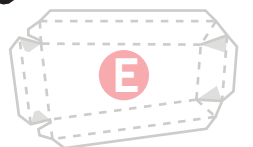
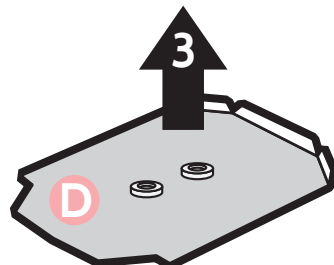
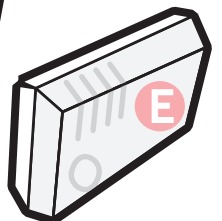
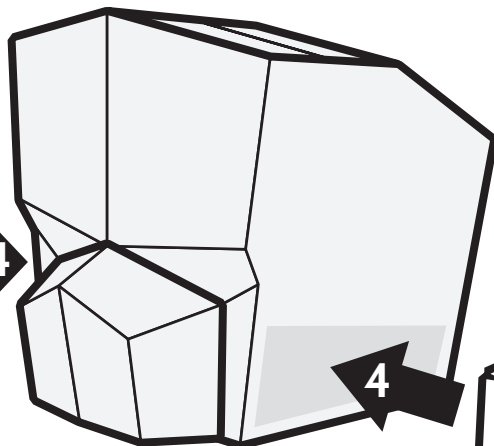
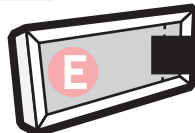
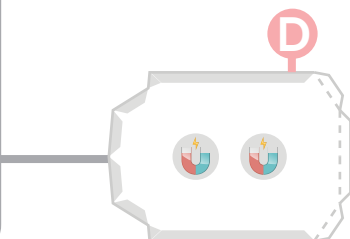
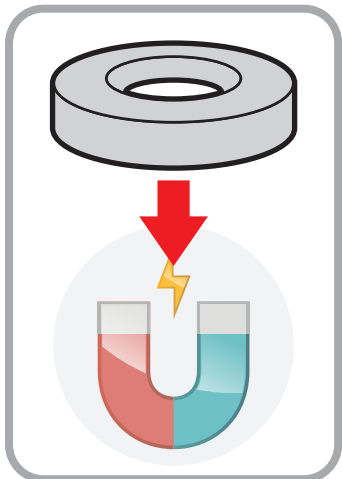


2

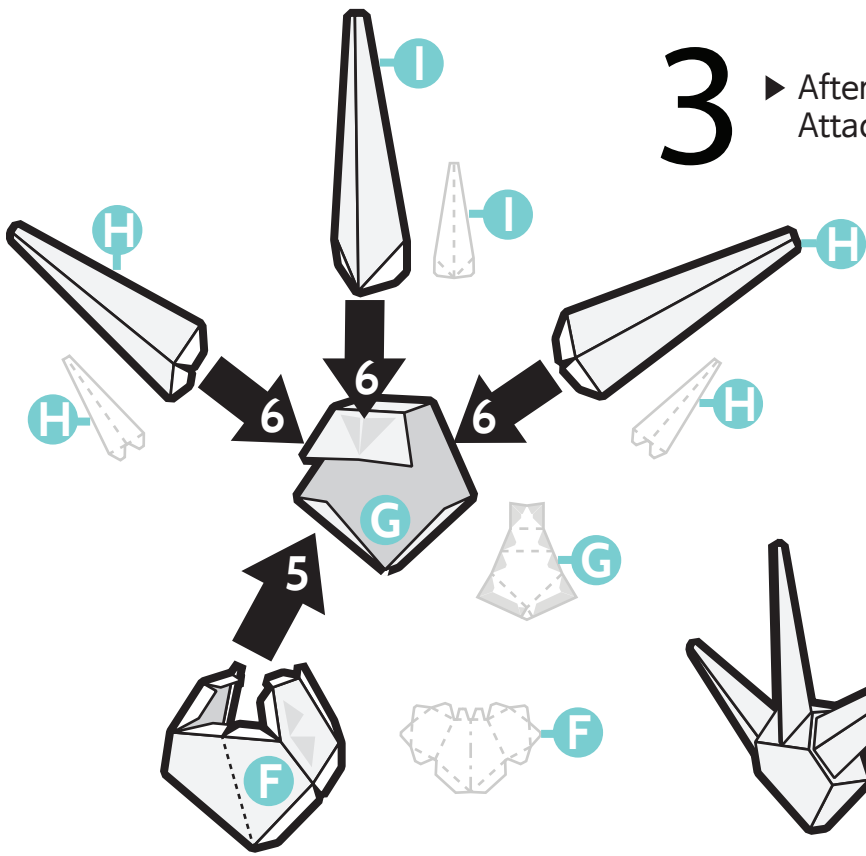
▶ Fix magnets where marked on D. Attach the E to the sides of the head where marked.



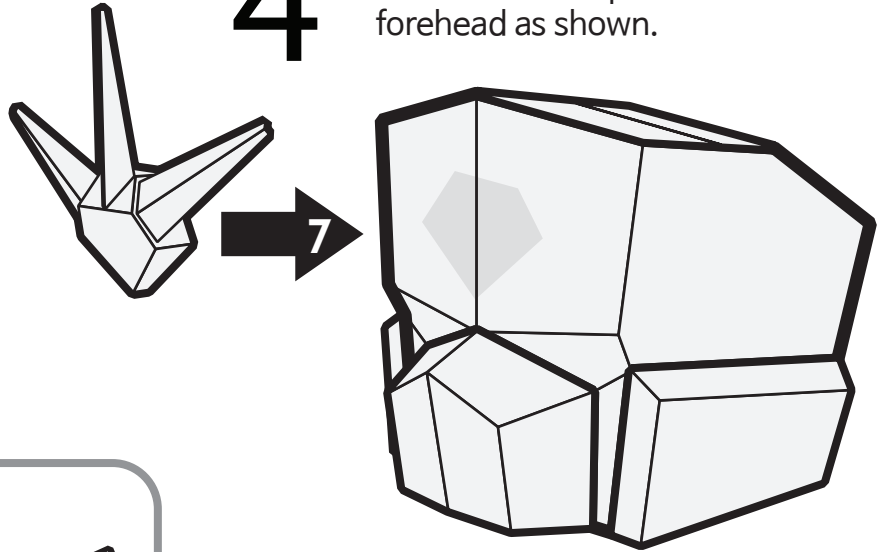
* Apply magnets where marked



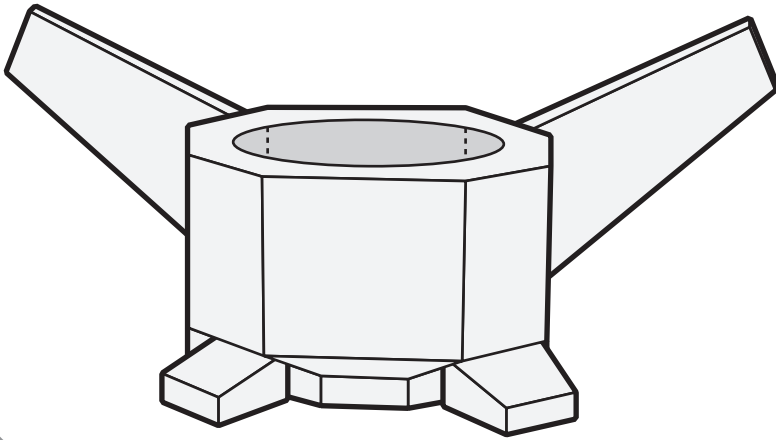
3 ▶ After attaching F to G,
Attach I to the middle and H to the sides as shown.



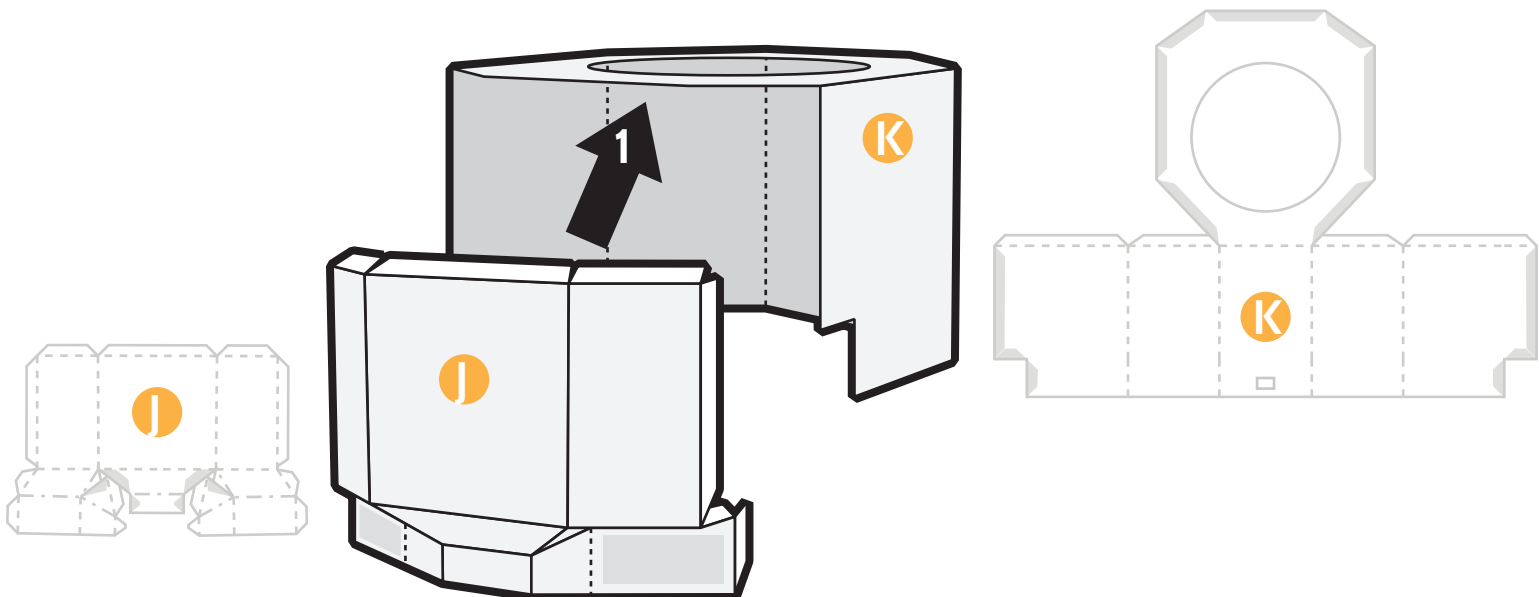
4 ▶ Attach the headpiece to the forehead as shown.



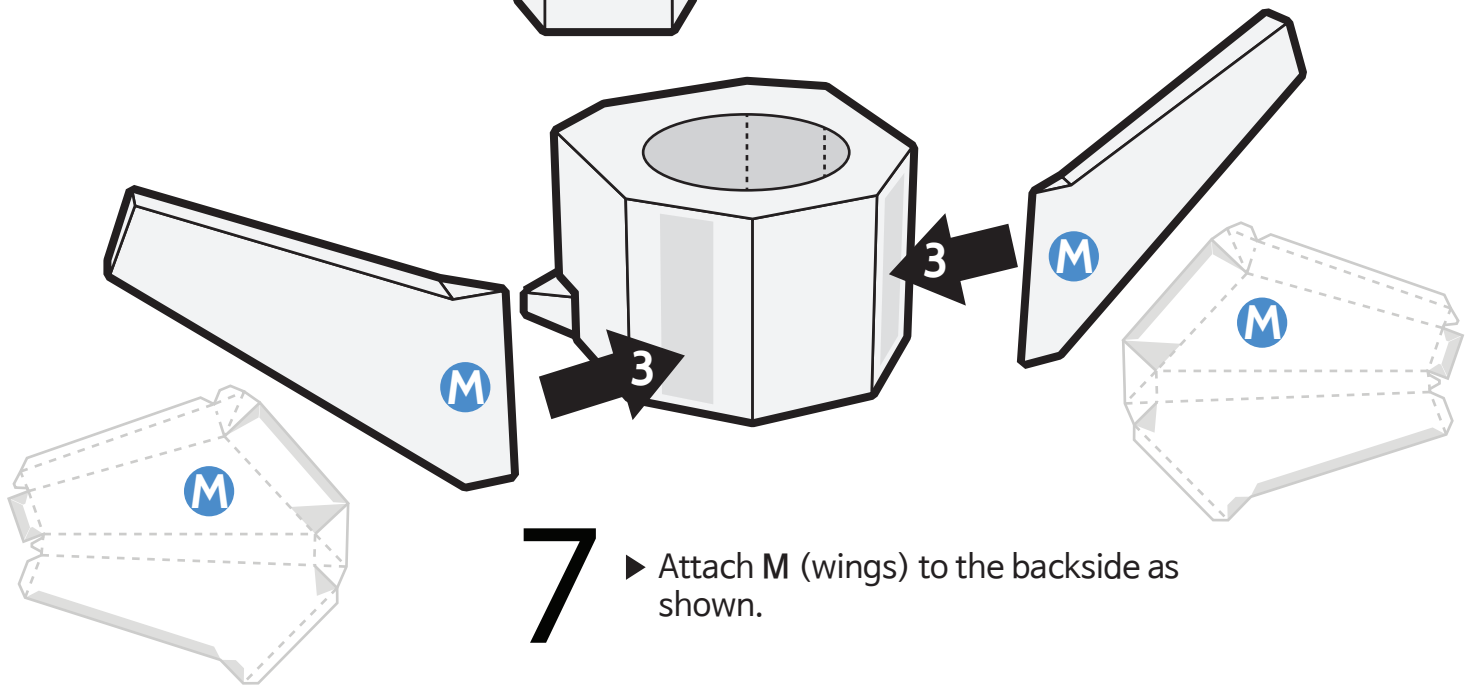
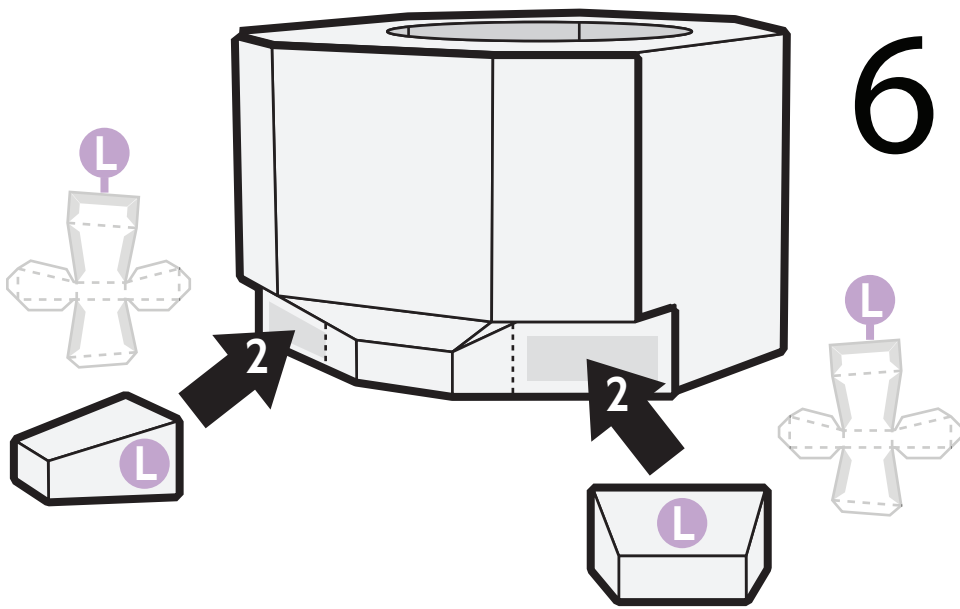
* Body



5 ▶ Make the body by attaching J to K.

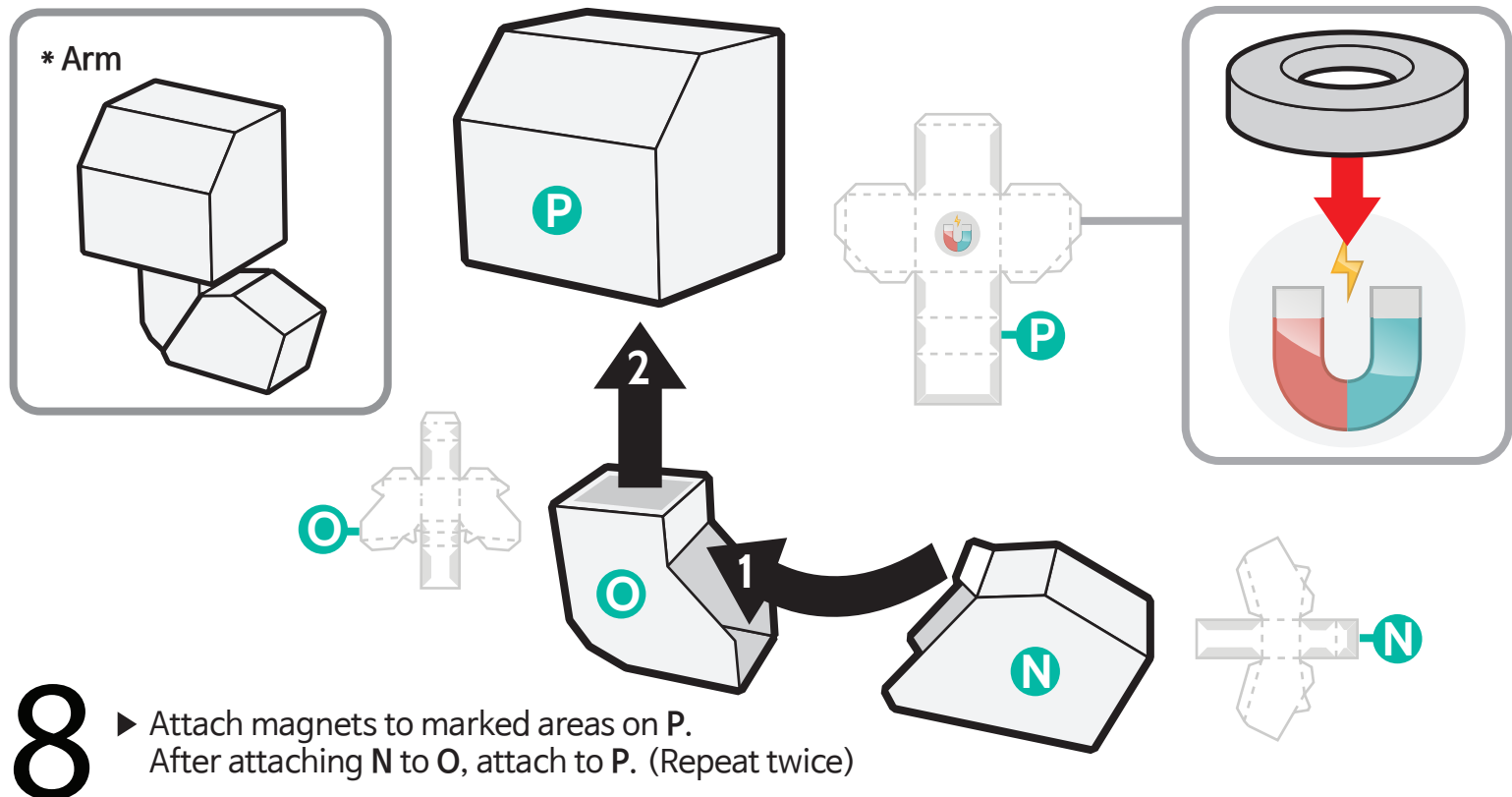


6 ▶ Attach L (feet) to the lower part of the body on both sides.



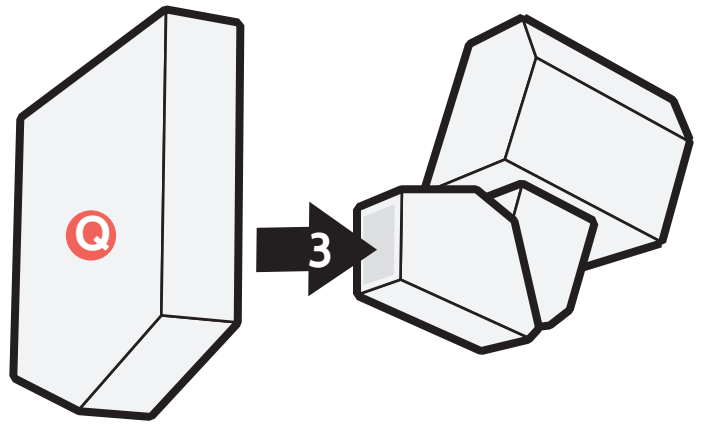
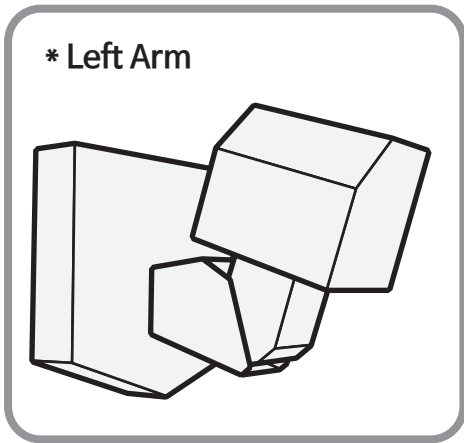
7 ▶ Attach M (wings) to the backside as shown.

* Apply magnets where marked



8 ▶ Attach magnets to marked areas on P. After attaching N to O, attach to P. (Repeat twice)

9 ▶ Attach Q (shield) to the front of the left hand as shown



10 ▶ Make the sword by attaching R to S. Attach sword to top of right hand as shown.

